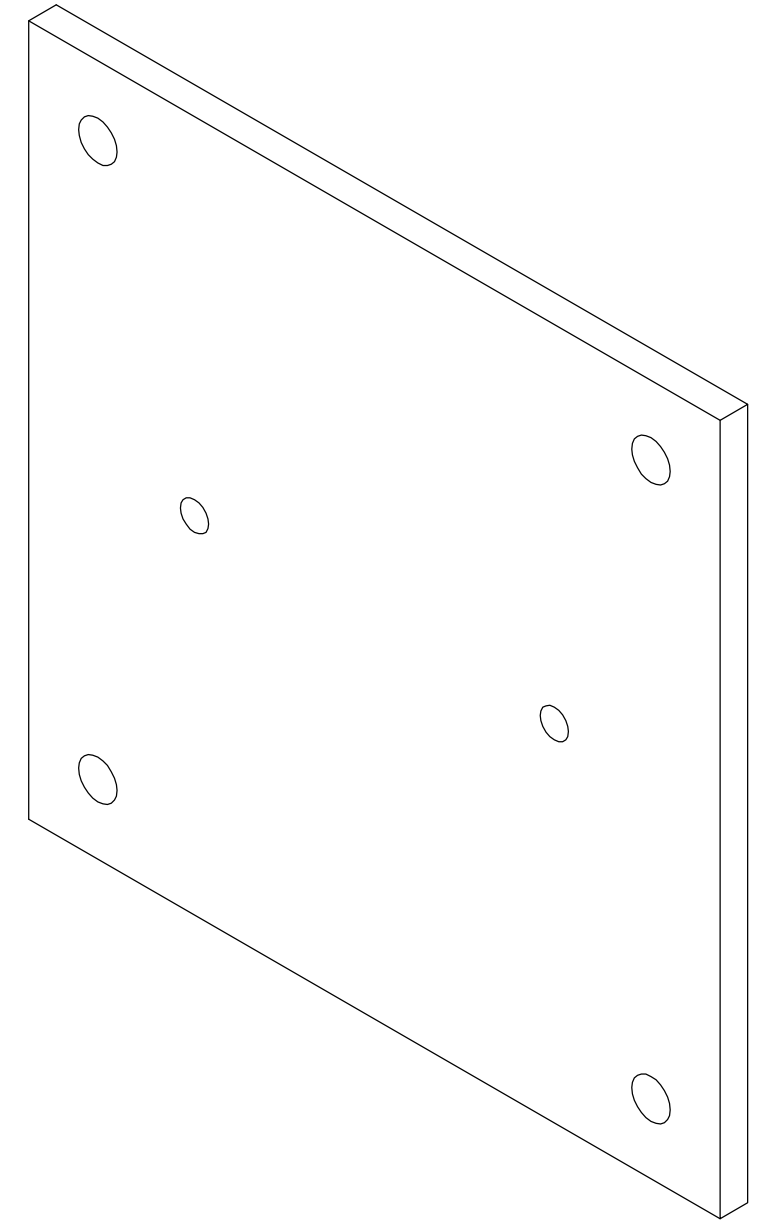
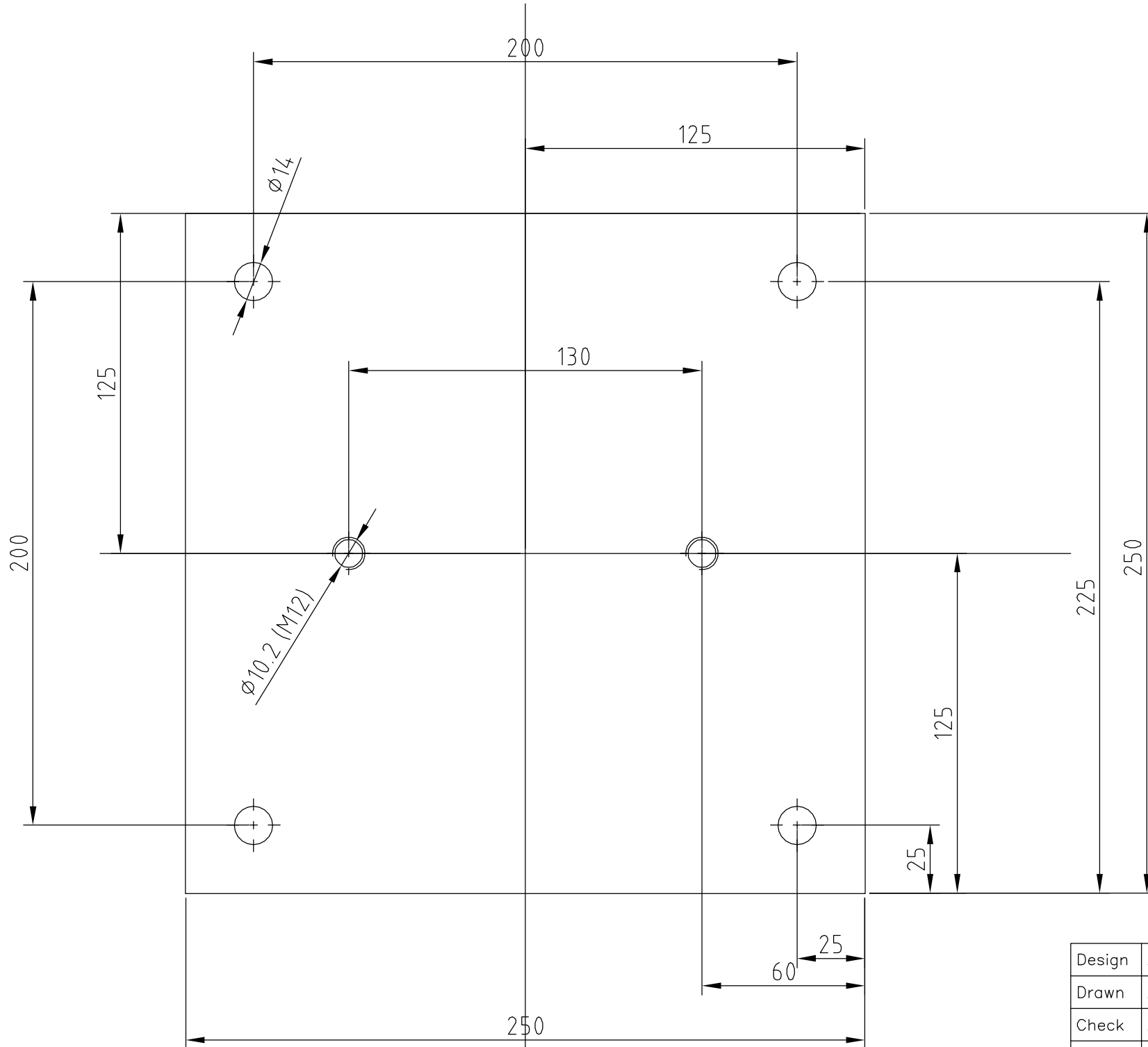



13694



| | | | | | |
|-----------|-----------|----|--------------|---|--|
| Design | 29.8.2001 | at | Scale 1:2 | Associated with Tolerance class middle | Description 1 Seinäasennuslevy |
| Drawn | 29.8.2001 | at | | | Description 2 AMWP250-250-1 |
| Check | 29.8.2001 | at | | | Description 3 |
| Plot Date | | | |  Aerial Oy Tel. +358-9-2790 120 Fax. +358-9-2910 210 Box 22 04401 Järvenpää Finland http://www.aerial.fi aerial@aerial.fi | |
| Mass | | | | | Material 1 Fe37 Hzn Outline size |
| DWG | | | | | |